

## SOLAR MODULES YI-50M

### Specifications

Cell Type	Mono-Silicon solar Cells
Cell Size	156mm×52mm
No. of cells and connections	36(4×9)
Dimension of module(mm)	669*538×25mm
Weight	6.0Kg

### Electrical Characteristics

Model	YI-50M
Maximum power at STC(Pm)	50W
Open-circuit voltage(Voc)	21.78V
Short-circuit current(Isc)	3.16A
Voltage at Pmax(Vmp)	17.50V
Current at Pmax(Imp)	2.92A
Application	DC 12V system

(STC:Irradiance AM1.5, 1000W/m<sup>2</sup>, 25°C)

### Limits

Fuse rating	10A
Maximum system voltage	715VDC
Operating temperature	-40~+85°C

### Temperature and Coefficients

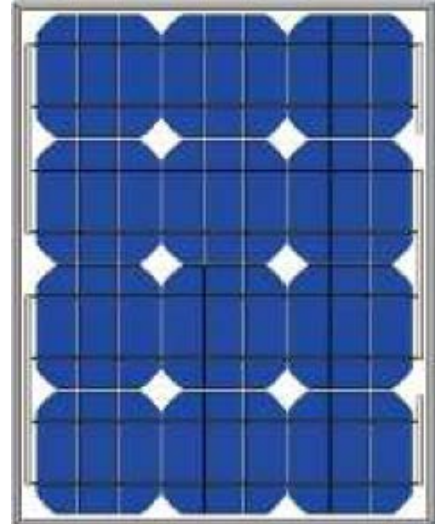
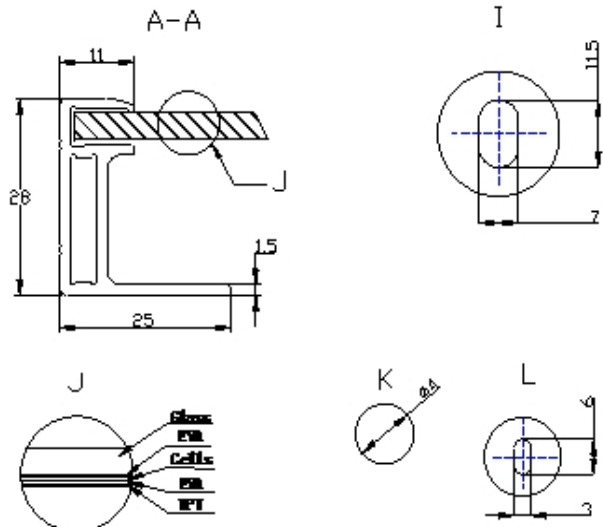
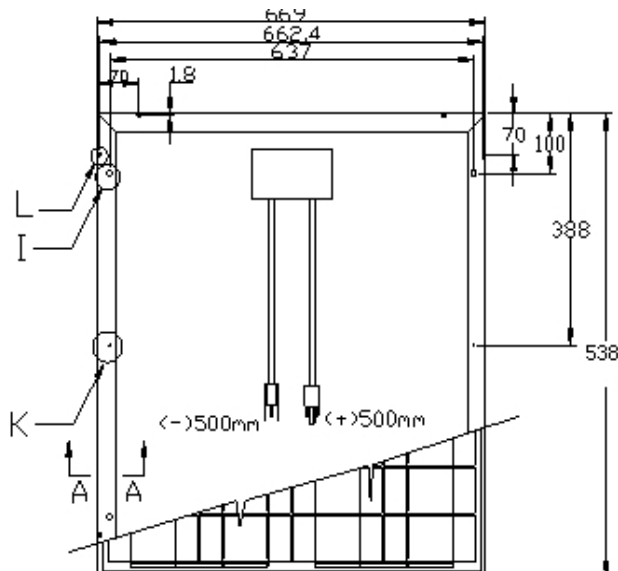
NOCT	45°C ±2°C
Temp coefficient of Voc	-0.33%/°C
Temp coefficient of Isc	0.046%/°C
Temp coefficient of power	-0.45%/°C

NOCT:Nominal Operation Cell Temperature

### Output

Type of output terminal	Junction box
Cable	4mm <sup>2</sup>
Cable lengths	500mm
Connector	Plug type

### Mechanical Characteristics



### Characteristics Curve

