



SOLAR MODULES

YI-40P

Specifications

Cell Type	Poly-Silicon solar Cells
Cell Size	78mm×78mm
No. of cells and connections	36(4×9)
Dimension of module(mm)	770*350×20mm
Weight	4.5Kg

Electrical Characteristics

Model	YI-40P
Maximum power at STC(Pm)	40W
Open-circuit voltage(Voc)	21.98V
Short-circuit current(Isc)	2.46A
Voltage at Pmax(Vmp)	17.90V
Current at Pmax(Imp)	2.23A
Application	DC 12V system

(STC:Irradiance AM1.5, 1000W/m², 25°C)

Limits

Fuse rating	10A
Maximum system voltage	715VDC
Operating temperature	-40~+85°C

Temperature and Coefficients

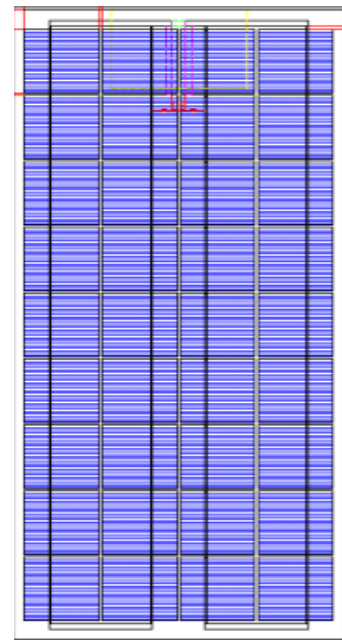
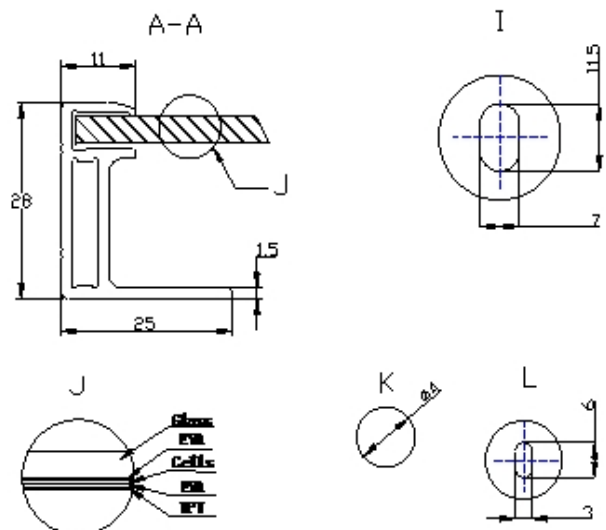
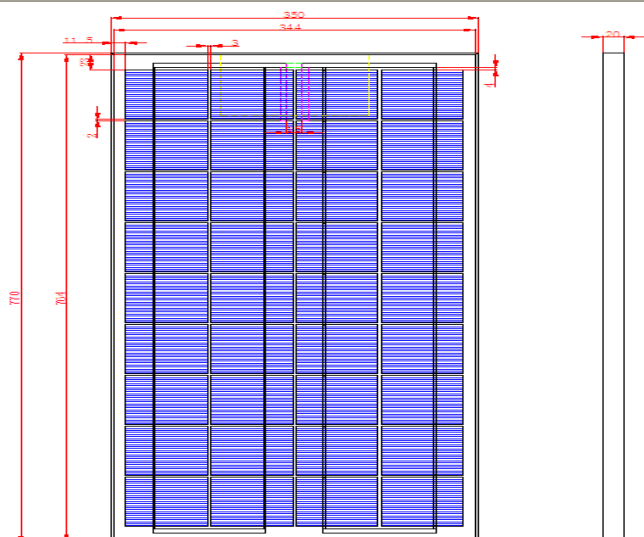
NOCT	45°C ±2°C
Temp coefficient of Voc	-0.33%/°C
Temp coefficient of Isc	0.046%/°C
Temp coefficient of power	-0.45%/°C

NOCT:Nominal Operation Cell Temperature

Output

Type of output terminal	Junction box
Cable	4mm ²
Cable lengths	500mm
Connector	Plug type

Mechanical Characteristics



Characteristics Curve

