

SOLAR MODULES

YI-150M

Specifications

Cell Type	Mono-Silicon solar Cells
Cell Size	156mm×156mm
No. of cells and connections	36(4×9)
Dimension of module(mm)	1480×669×35mm
Weight	11.5Kg

Electrical Characteristics

Model	YI-150M
Maximum power at STC(Pm)	150W
Open-circuit voltage(Voc)	22.96V
Short-circuit current(Isc)	9.75A
Voltage at Pmax(Vmp)	18.00V
Current at Pmax(Imp)	8.33A
Application	12V system

(STC:Irradiance AM1.5, 1000W/m², 25°C)

Limits

Fuse rating	15A
Maximum system voltage	1000VDC
Operating temperature	-40~+85°C

Temperature and Coefficients

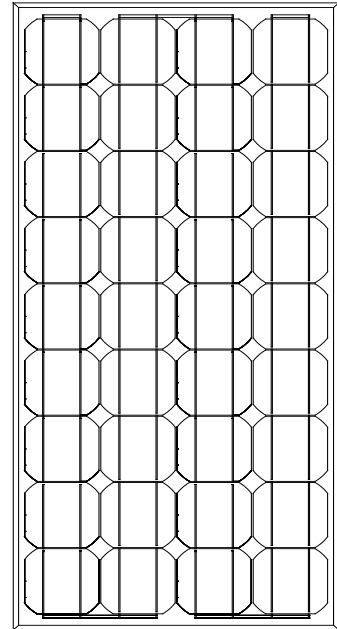
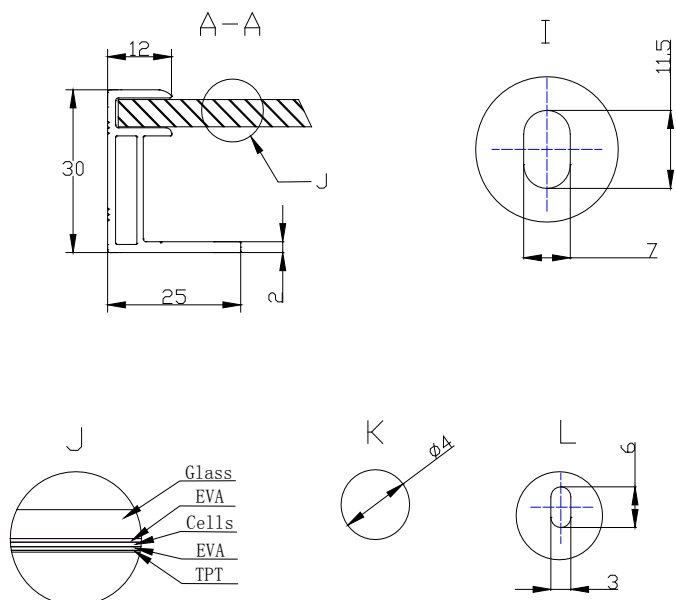
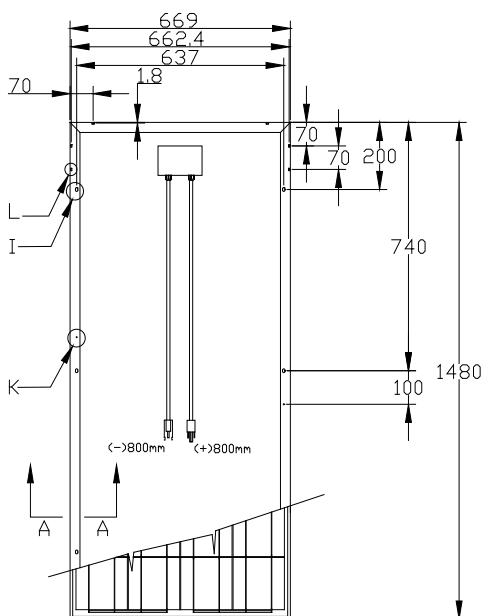
NOCT	45°C ±2°C
Temp coefficient of Voc	-0.33%/°C
Temp coefficient of Isc	0.046%/°C
Temp coefficient of power	-0.45%/°C

NOCT:Nominal Operation Cell Temperature

Output

Type of output terminal	Junction box
Cable	4mm ²
Cable lengths	800mm
Connector	Plug type

Mechanical Characteristics



Characteristics Curve

